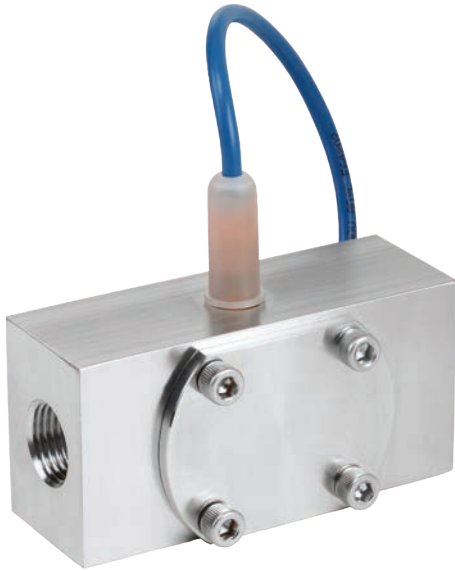


# SES

## STAINLESS SINGLE-JET METER

# Seametrics



### APPLICATIONS

Low flow monitoring

Chemical batching

Proportional chemical injection

Fertilizer injection

### Features

- Accurate at low flows
- Simple and durable
- Rugged body
- High tolerance for problem fluids

The **SES** single-jet meter provides accurate, wide range flow metering in an extremely rugged stainless steel package. Single-jet simplicity combined with high quality jewel bearings results in long life and relatively high tolerance for problem fluids. Typical applications are chemical batching, proportional chemical injection, fertilizer injection, proportioning of spray chemicals, and general flow rate monitoring.

The sensor is easily replaced from outside the meter, and is compatible with most of the Seametrics indicators and transmitters, as well as most controls and PLC's that accept DC inputs. The standard rotor is PVDF (Kynar®) and the shaft is a special nickel-bonded tungsten carbide. The optional ceramic shaft increases resistance to some concentrated chemicals. The standard O-ring is Teflon®-coated Viton®.

### Contact Your Supplier



#### Procon Instrument Technology

1/119 Delta Street Geebung QLD 4034

PO Box 663 Virginia BC QLD 4014

07 3823 1922

[sales@proconit.com.au](mailto:sales@proconit.com.au)

[www.proconit.com.au](http://www.proconit.com.au)

ABN: 26 010 529 423



## Features

18' (6 m) Sensor Cable

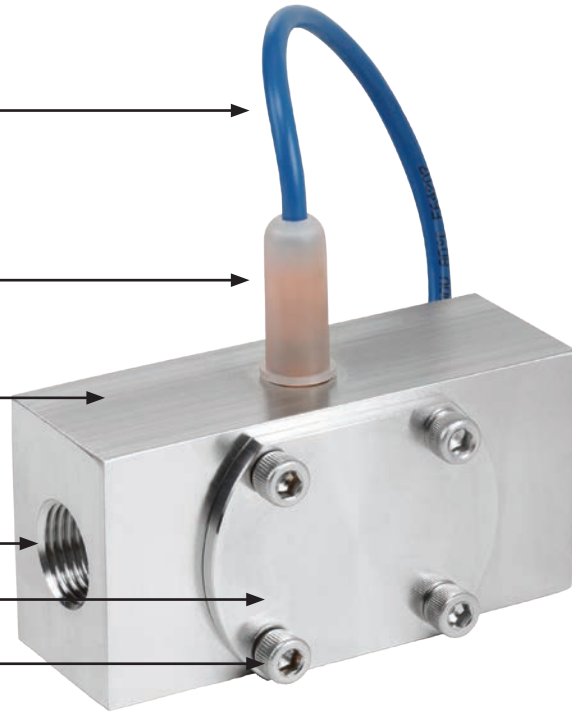
Thread-in Sensor, Field Replaceable,  
6–24 Vdc Pulse

316 Stainless Steel Body

Female NPT Thread

Removeable 316SS Cover

Hex Screws



### Internal

- Jewel Bearings—Ruby Ring and Ball
- Kynar®/Tungsten Carbide Rotor Assembly (*Kynar®/Ceramic or Kynar®/Silicon Carbide optional*)
- Teflon®-coated Viton® O-ring (*Viton® or EPDM optional*)



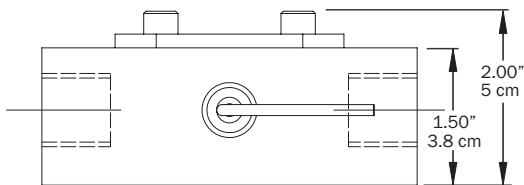
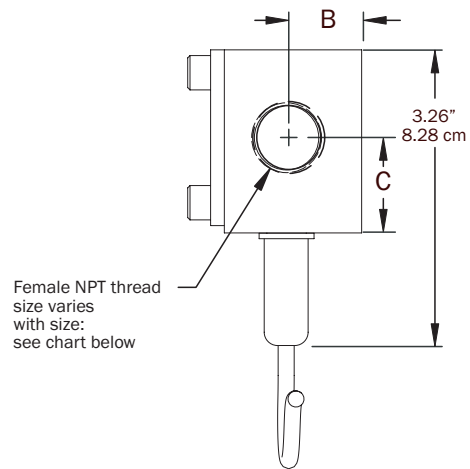
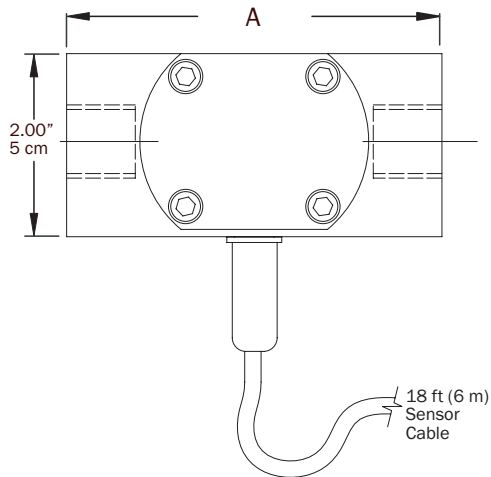
*Field Replacement  
of Sensor*

## Specifications\*

<b>Connection Ports</b>		1/2", 3/4", 1" —Female NPT thread
<b>Sensor Cable</b>		18 ft (6 m) standard—maximum cable run 2000 ft (607 m)
<b>Materials</b>	<b>Body</b>	316 stainless steel
	<b>Rotor</b>	PVDF (Kynar®)—2 magnet ( <i>6 magnet high resolution optional</i> )
	<b>Shaft</b>	Nickel-bonded tungsten carbide ( <i>ceramic or silicon carbide optional</i> )
	<b>O-Ring</b>	Teflon®-coated Viton® ( <i>Viton® or EDPM optional</i> )
	<b>Bearings</b>	Ruby ring and ball
	<b>Cover</b>	316 stainless steel
<b>Maximum Temperature</b>		200° F (93° C)
<b>Maximum Pressure</b>		500 psi (35 bar)
<b>Accuracy</b>		±1% of full scale
<b>Power</b>	<b>Standard</b>	6–36 Vdc, < 2 mA
	<b>Micropower</b>	3.1–16 Vdc, 60 µA @ 3.6 Vdc (for FT450 and DL76 only)
<b>Outputs</b>		Current sinking pulse, 6–24 Vdc

\* Specifications subject to change. Please consult our website for current data ([seametrics.com](http://seametrics.com))  
Kynar is a registered trademark of Arkema, Inc., Teflon and Viton are registered trademarks for DuPont Corporation

## Dimensions



Model	NPT Thread Size	A	B	C
<b>-050</b>	1/2 inch	4.10	0.82	1.04
<b>-075</b>	3/4 inch	4.10	0.82	1.04
<b>-100</b>	1 inch	5.00	0.75	1.00

## How to Order

Model	Size	Options
SES	-050 = 1/2" (0.1–10 gpm) -075 = 3/4" (0.2–15 gpm) -100 = 1" (0.5–25 gpm)	-01 = Ceramic shaft -04 = Micropower pickup (for use with FT450 or DL76 only) -06 = Standard power, LMI 4-pin connector -07 = Standard power, Seametrics control connector -13 = High resolution rotor -60 = Viton® o-ring -68 = Silicon carbide shaft -69 = EPDM o-ring -70 = SAE threads -106 = Roytronic® Series A Pump 5-pin connector

### Accessories

FT430W = Rate and Total Indicator, DC powered	FT520 = Batch Flow Processor
FT440W = Rate and Total Indicator, loop powered	DL76W = Data Logger
FT450W = Rate and Total Indicator, battery powered	PC3 = Plug-in Power Converter, 100–115 Vac, 24 Vdc
AO55W = Blind Analog Transmitter (4–20 mA)	PC12 = DIN or Wall Mount Power Converter, 100–115 Vac, 24 Vdc

*Roytronic is a registered trademark of Milton Roy Company, Viton is a registered trademark of DuPont Corporation*

## Flow Range

Model #	K-Factor* (pulses/gal)	Gal/Min	Liter/Min
-050	535	0.1–10	0.38–38
-075	390	0.2–15	0.75–57
-100	220	0.5–25	1.9–95

*\*Nominal K-factors (based on averages) for standard 2-magnet SPT and SPX. High resolution (6-magnet) K-factors are approximately tripled.*

## Pressure Drop Curves

