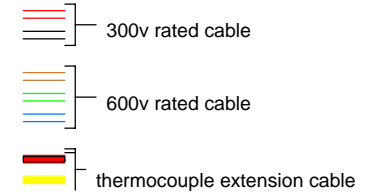
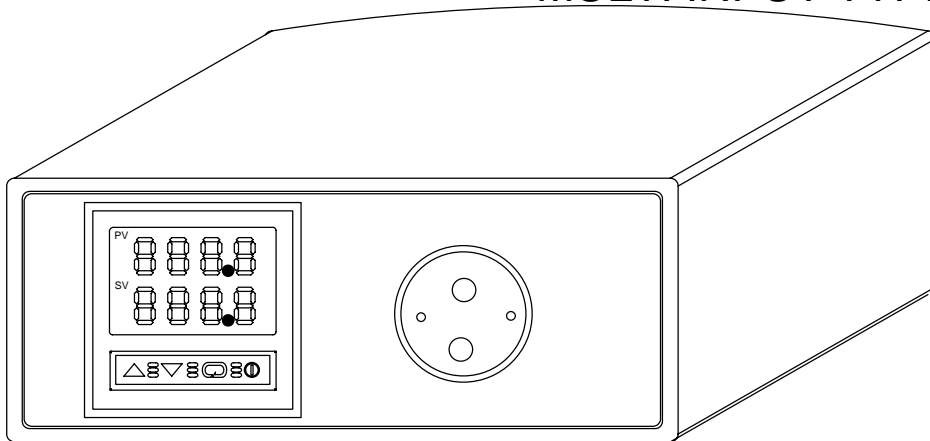


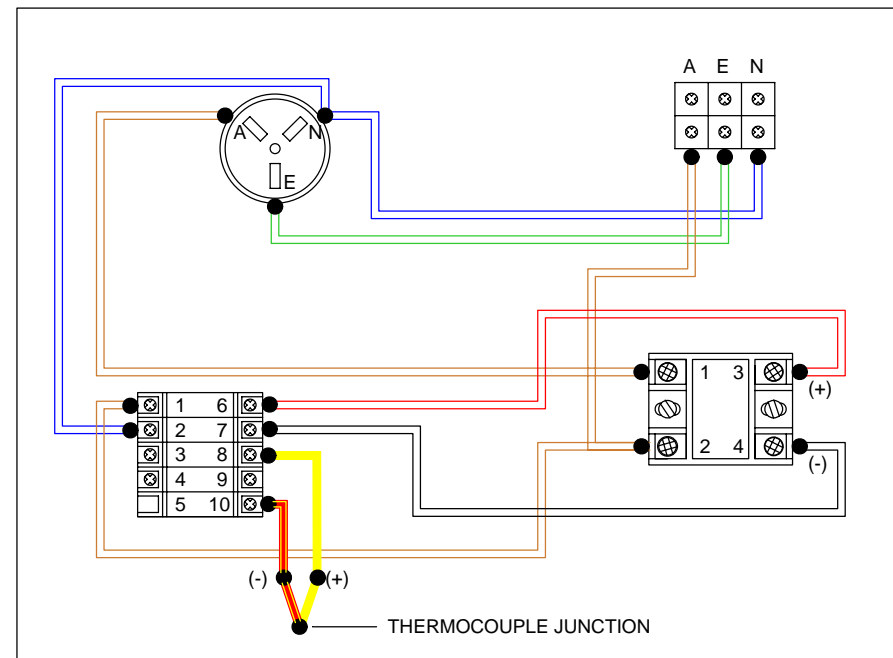
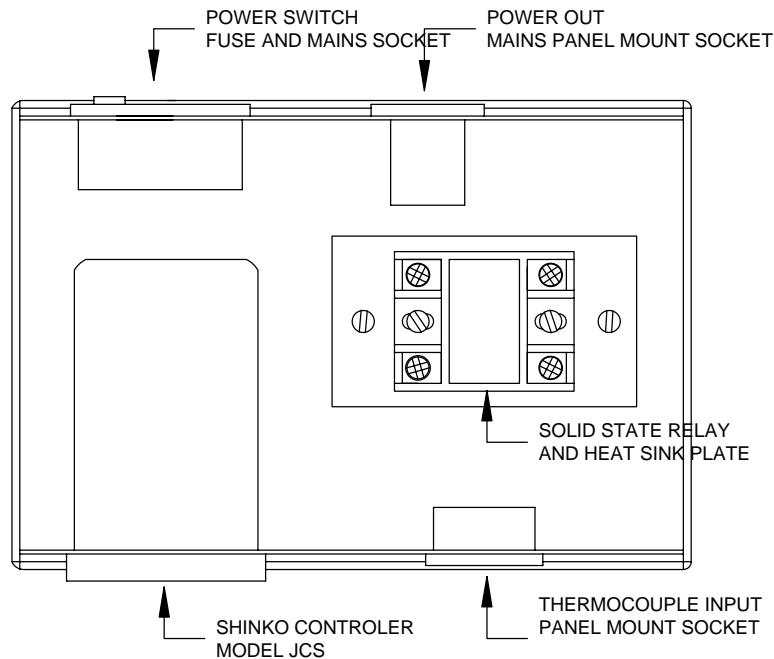
SHINKO JCS 33A SM CONTROLLER 110 TO 240V MULTI INPUT TYPE K, J, T, N, R, S & B



BOX COMPONENTS

- PVC DESK TOP BOX (HB-5910) 260mm x 190 x 80mm
- SOLID STATE RELAY WITH HEAT SINK - 25AMP
- THERMOCOUPLE INPUT K, J, T, N, R, S & B
- OPTION - RTD INPUT
- FUSED POWER SWITCH (PP-4003)
- MAINS POWER LEAD(PS-4106)
- MAINS POWER PANEL MOUNT SOCKET (PS-4094)
- RUBBER FEET (HP-0801)

NOTE- MAXIMUM LOAD CAPACITY 10AMP



CONDITIONS

THIS DRAWING IS OUR EXCLUSIVE PROPERTY AND MUST NOT BE COPIED OR HANDED TO ANY OTHER PARTIES WITHOUT WRITTEN PERMISSION. IT SHALL BE RETURNED UPON REQUEST

SYDNEY : 7 YAMMA ST SEFTON , NSW 2162
PHONE : (02) 9721 8644 FAX : (02) 9738 9339
MELBOURNE : 8/280 WHITEHALL ST
YARRAVILLE VIC 3013
PHONE : (03) 9687 0000 FAX : (03) 9687 1900
EMAIL : sales@temperature.com.au

TEMPERATURE CONTROLS PTY LTD

refer to parts order sheet AC06-56

TITLE

SIZE : A4

DATE : 16/08/12

DWG NO :SD 260

SCALE : NTS

DRAWING BY R.B

REV : 01