

Cal=Trak™ SL-500

Primary Gas Calibrator
Instruction Manual



IM-CAL-SL500
Rev. E, November 2011



GLOBAL SUPPORT LOCATIONS: WE ARE HERE TO HELP!

CORPORATE HEADQUARTERS

5 Harris Court, Building L Monterey, CA 93940
Phone (831) 373-0200 (800) 866-0200 Fax (831) 373-4402
www.sierrainstruments.com

EUROPE HEADQUARTERS

Bijlmansweid 2 1934RE Egmond aan den Hoef
The Netherlands
Phone +31 72 5071400 Fax +31 72 5071401

ASIA HEADQUARTERS

Rm. 618, Tomson Centre, Bldg A, 188 Zhang Yang Road
Pu Dong New District, Shanghai, P.R. China
Phone: + 8621 5879 8521 Fax: +8621 5879 8586

IMPORTANT CUSTOMER NOTICE: OXYGEN SERVICE

Sierra Instruments, Inc. is not liable for any damage or personal injury, whatsoever, resulting from the use of Sierra Instruments standard mass flow meters or controllers for oxygen gas. You are responsible for determining if this mass flow meter or controller is appropriate for your oxygen application. You are responsible for cleaning the mass flow meter or controller to the degree required for your oxygen flow application.

© COPYRIGHT SIERRA INSTRUMENTS 2010

No part of this publication may be copied or distributed, transmitted, transcribed, stored in a retrieval system, or translated into any human or computer language, in any form or by any means, electronic, mechanical, manual, or otherwise, or disclosed to third parties without the express written permission of Sierra Instruments. The information contained in this manual is subject to change without notice.

TRADEMARKS

Cal=Trak™ SL-500 is a Registered Trademark of Sierra Instruments, Inc. Other product and company names listed in this manual are trademarks or trade names of their respective manufacturers.

Table of Contents

- Introduction.....4**
- About Your SL-500.....4**
 - Theory of Operation 4
 - Unpacking Checklist 6
 - Warnings 6
- Operating Your SL-500.....7**
 - Getting Started7
 - Turning the SL-500 On & Off.....7
 - LCD Backlight 7
 - Low Battery Indicator 7
- Using the SL-500 Keypad 8**
 - General Menu Navigation 8
 - Keypad Function 8
- SL-500 Menu Tree 9**
 - Error Messages 10
- Installing & Removing Flow Cells11**
- Factory Default Settings 11**
- Connecting the SL-500 to a Gas Flow Source 11**
- Taking Readings.....12**
- Setting User Preferences.....12**
- Using Sensor Factors.....15**
- Leak Testing15**
- Annual Maintenance and Calibration..... 17**
 - Recertification 17
 - Sending Your SL-500 to Sierra 18
 - Shipping 18
 - Storage 18
- Sierra Cal=Trak SL-500 Specifications 19**
- Limited Warranty..... 20**

Introduction

Congratulations! You've chosen the Sierra Cal=Trak™ Series SL-500. The SL-500 offers you $\pm 0.25\%$ of reading volumetric, $\pm 0.40\%$ of reading standardized accuracy within a portable primary standard that's ideal for both volumetric and mass flow applications where a high degree of measurement accuracy is required.

Before you get started, we recommend taking a few moments to review this manual and familiarize yourself with the SL-500. If at any time you have questions regarding its operation, please contact Sierra through our web site (www.sierrainstruments.com), or call us at 831.373.0200 to speak with one of our knowledgeable customer support representatives.

About Your SL-500

The SL-500 is a positive displacement primary piston prover for gas flow measurements in either pressure or vacuum applications. Using its unique technology, it combines the accuracy of a primary standard with unequalled speed and convenience.

Volumetric or standardized flow readings are obtained with the push of a button. The SL-500 can be set to take flow readings manually, (one reading at a time), or automatically in the hands-free continuous auto-read mode. The SL-500 can be programmed for up to 100 readings in an averaging sequence.

Theory of Operation

The versatile SL-500 can be used to measure the gas flow rates of both pressure and vacuum flow sources. The Cal-Trak features a near-frictionless piston and flow cell design that is primary, highly-accurate and liquid-free, for primary flow measurements of unequalled speed and convenience.

The SL-500 consists of two primary components: The base and the flow cell (there are three interchangeable flow cell models, each with a designated flow range). The flow cell plugs into the base unit in order to create a complete, functional SL-500 system. Neither component can operate independently.

The base component houses the main computer and timing crystal. The flow cell is easily fitted into the base unit's 9-pin connector and two guide pins.

The flow cell performs the actual flow measurements. For this purpose, it houses a "piston and glass assembly" comprised of a borosilicate glass tube housing a precision-machined piston. The flow cell also contains an integrated temperature sensor and barometric pressure transducer in the gas flow stream for instant conversion of the volumetric readings into standardized flow.

The SL-500 can be set to take flow measurements manually, one reading at a time, or automatically in the Auto-Read mode for hands-free, continuous measurements. The SL-500 can be programmed for up to 100 readings in an averaging sequence.

The SL-500 includes an RS-232 port (serial port), and cable.

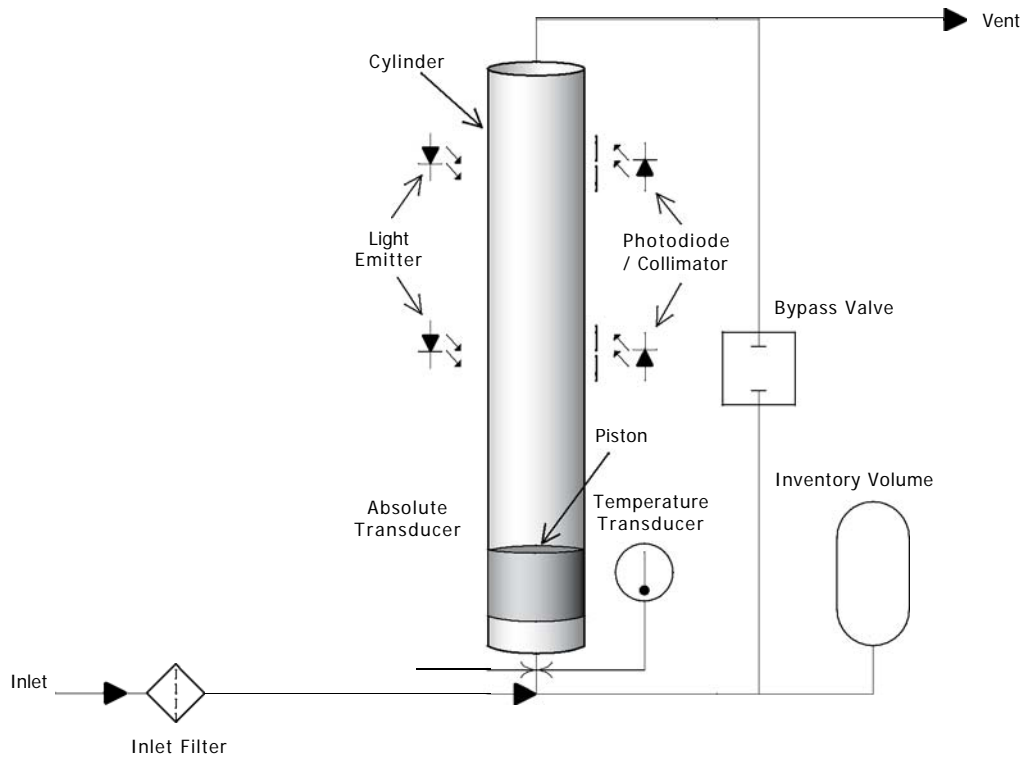


Figure 1: Primary Piston Prover

An idealized piston prover would consist of a massless, frictionless, leakproof, shape-invariant and impermeable piston inserted within the flow stream and enclosed by a perfect cylinder (**Figure 1**). The time that the piston takes to move a known distance (which implies a known volume) then yields the volumetric flow as:

$$q = v / t = \pi r^2 h / t$$

Where:

q = volumetric flow rate

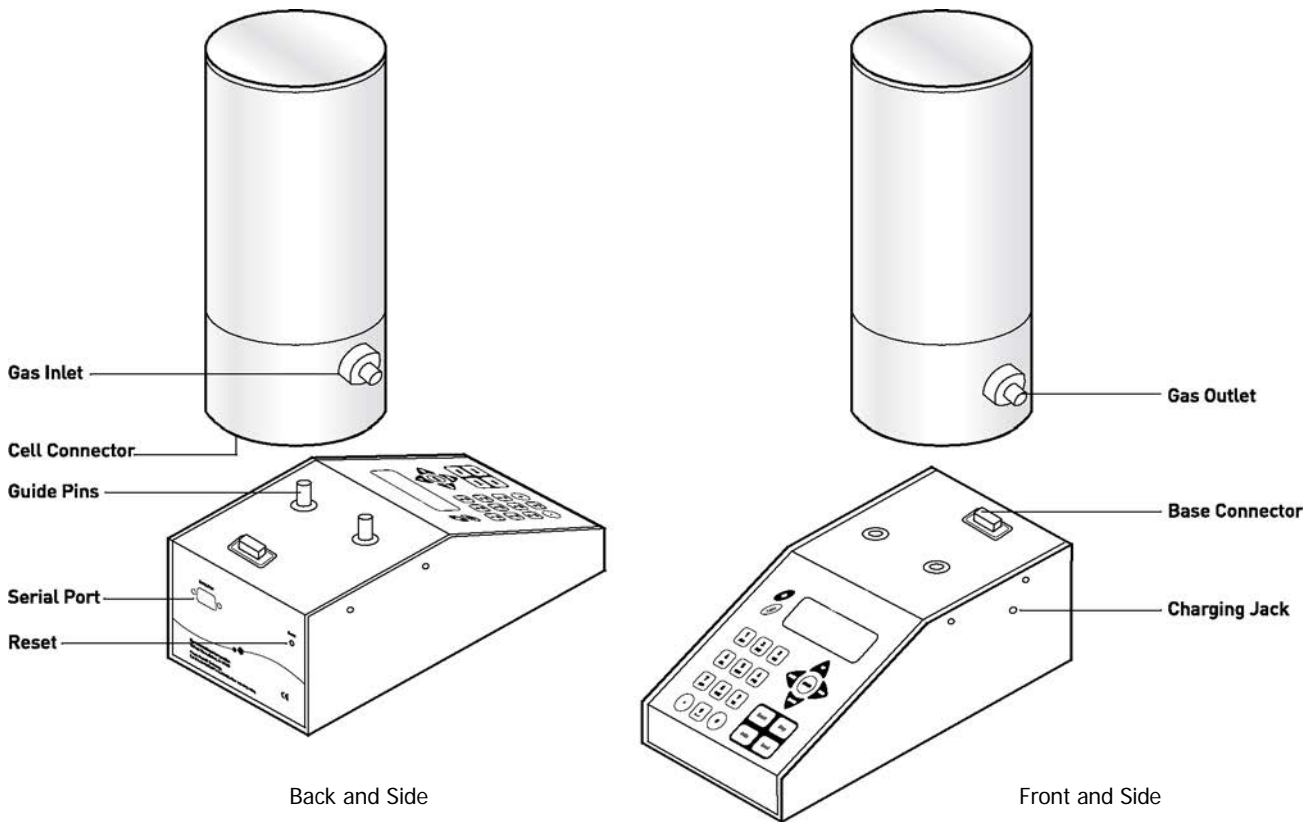
v = measurement volume

t = measurement time

r = radius

h = measurement path length

Such a device would be as accurate as its physical dimensions and its clock, with almost insignificant drift mechanisms. Although such idealized devices do not exist, we believe that technology in the Cal=Trak offers close to ideal performance.



Unpacking Checklist

Your SL-500 has been packaged with care and includes all components necessary for complete operation. Please take a moment to check that you have received the following items. If you believe you have not received a full shipment or if you have any questions, please contact Sierra immediately.

Your SL-500 Base with the following:

- SL-500 Electronic Base
- Battery Charger
- Leak Test Cable
- RS-232 Cable
- Instruction Manual
- Certificate of Calibration

Your SL-500 Flow Cell Includes

- SL-500 Flow Cell
- Leak Test Plug
- Certificate of Calibration

Warnings

- ⚠ The SL-500 is not rated intrinsically safe and is not for use with explosive gasses or for use in explosive environments.
- ⚠ The SL-500 is not designed for pressurization above 2 PSI or for gas flows above the rated specifications of the flow cell in use. Please consult the product specification on page 17 for more information regarding acceptable gas flow ranges or visit our website at <http://www.sierrainstruments.com/products/caltrak.html> for the most current product specifications.
- ⚠ For use with clean laboratory air or other inert, non-corrosive gasses only.

Operating Your SL-500

Getting Started

Although the SL-500's battery comes charged from the factory, we recommend fully charging your new battery by connecting the AC power adapter/charger to the SL-500's charging jack and then plugging it into a standard wall outlet. Initial charging should take approximately eight hours.

After initial charging, you may continue to charge your SL-500 indefinitely by leaving it connected to the power supply. Otherwise, make sure to fully charge your SL-500 at least once every three months to help maintain battery life.

On bases manufactured after January 2008 a small cooling fan was added for improved performance. The fan operates when the base is connected to the charger.

Turning the SL-500 On & Off

Press **On** to start the SL-500. An opening screen will appear indicating the instrument's revision level followed by the "Main Menu".

The SL-500 has a battery saving automatic shut off system. After 65 minutes of inactivity, the SL-500 will shut off. Alternatively, the unit can be shut off manually by pressing the **Reset** button followed by the number **0** from the "Main Menu".

LCD Backlight

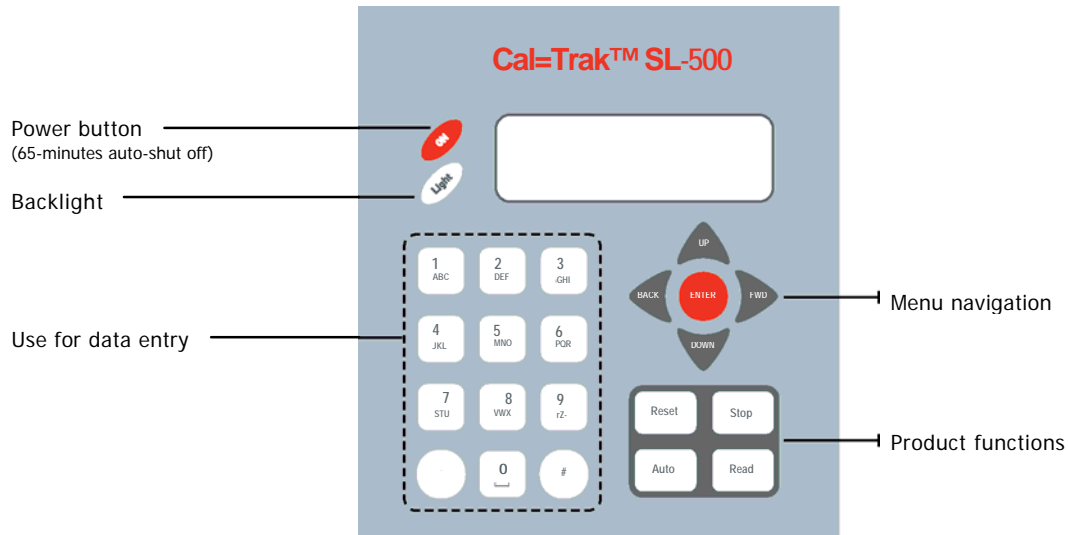
The SL-500's LCD display includes a backlight function to illuminate the display. The default setting for the backlight is always on. If you wish to conserve battery power you may wish to turn the backlight off or enable the backlight only when inputting information on the keypad.

To turn the backlight off, from the "Main Menu" press the **Light** button one time. To enable the backlight only when inputting information on the keypad press the **Light** button a second time. To return to the default setting (always on), press the **Light** button a third time.

Low Battery Indicator

A low battery condition is indicated by a "B" appearing in the upper right-hand corner of the LCD. The low battery indicator allows the user to connect to an external power source prior to the unit powering down. Time between low battery indication and loss of power varies depending on the current application.

SL-500 Keypad



Using the SL-500 Keypad

General Menu Navigation

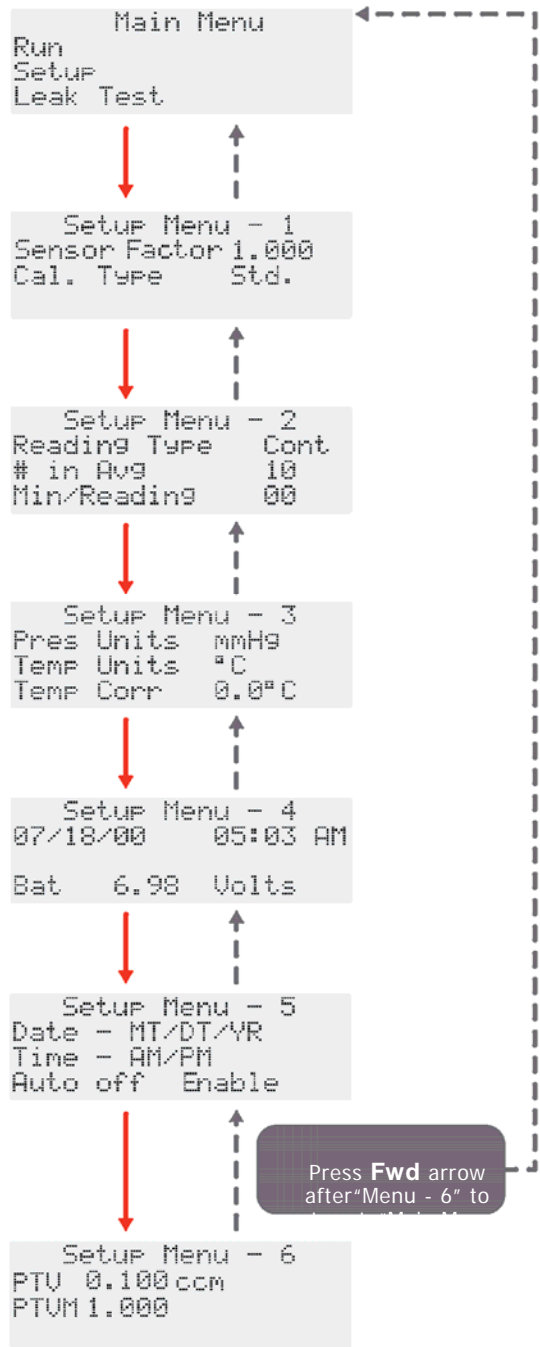
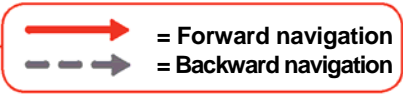
Use the **Up/Down** arrows to navigate between different lines within a menu. Use the **Enter** button to select a field to be modified and to lock-in any changes. Use the keypad for data entry, such as entering standard temperature conditions; use the **Up/Down** arrows to toggle between fields, such as Temperature or Pressure units. Use the **Fwd** and **Back** keys to advance to the following menu or return to the previous menu.

Keypad Function

The keypad is used for both numeric character entry. When pressed, each alphanumeric button will display its corresponding number. To go back, use the back arrow. The SL-500 will overwrite previous entries. Use the **Enter** key to lock-in any selections.

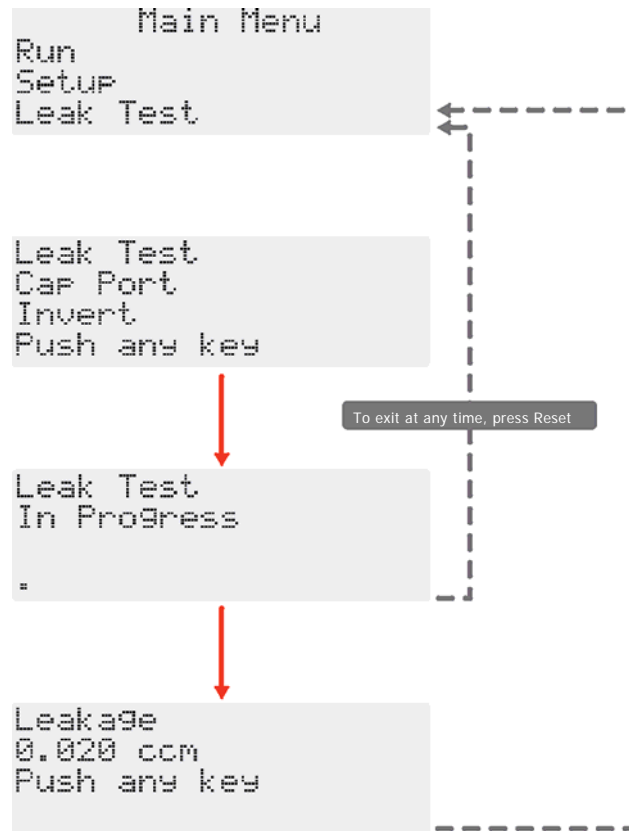
- **Reset Button:** Clears both the current reading and the group average and opens the valve, allowing the piston to return to its resting state.
- **Stop Button:** Stops current reading and opens the valve, allowing the piston to return to its resting state.
- **Auto Button:** Initiates automatic readings (must be accessed from the "Run Menu"). If the Reading type has been set to "Cont" in "Setup Menu - 2", the unit will run until the preset average is reached and then restart the cycle. If the Reading type has been set to "Burst" in "Setup Menu - 2", the unit will run until the preset average is reached and then stop.
- **Read Button:** Initiates a single reading (must be accessed from the "Run Menu").

SL-500 Menu Tree



- Use the Up/Down arrows to navigate between different lines.
- Use the Enter button to select a field to be modified depending on the function and to lock in any changes.
- Use either the keypad or the Up/Down arrows to modify the desired field.
- Use the Fwd and Back keys to advance to the following menu or return to the previous menu.

SL-500 Menu Tree Continued



- Use the Up/Down arrows to navigate between different lines.
- Use the Enter button to select a field to be modified depending on the function and to lock in any changes.
- Use either the keypad or the Up/Down arrows to modify the desired field.
- Use the Fwd and Back keys to advance to the following menu or return to the previous menu.

Error Messages



Cell is not present or unit does not "see" cell.
To exit, press Back, or wait to return to "Main Menu."

Piston did not return to bottom of cell properly.
To exit, press any key.

Installing & Removing Flow Cells

The SL-500 accepts interchangeable SL-500 (only) flow cells for different flow ranges. If the user attempts to enter the “Run Menu” prior to installing a flow cell, the unit indicates “No Cell” and returns to the “Main Menu” after a 5 second delay.

Installing Flow Cells

1. Position the selected flow cell into the base opening, its top label facing you.
2. Turn the cell back and forth to locate the guide pins; when the guide pins are engaged, press down.
3. When powered on, the SL-500 senses which cell is installed and displays the appropriate units for that cell.

Removing Flow Cells

Grasp the flow cell firmly, hold the base in place, and lift upwards.

Factory Default Settings

The SL-500 has a number of user-definable features and settings. To return to factory default settings at any time, press **Reset** followed by **Save** from the “Main Menu”.

Parameters	Factory Settings	Optional Settings
No. of Readings in an Averaging Sequence	10	1-100
Atmospheric Pressure	mm Hg	mBar, kPa, PSI
Temperature	°C	°F
Standardized Temperature Setting	0 °C	0.0-50.0 °C
Date Format	MM/DT/YR	DT/MM/YR
Time Format	AM/PM	24 Hr

Connecting the SL-500 to a Gas Flow Source

The accuracy of the SL-500 is dependent upon its source being stable. An unstable flow source may produce inconsistent readings. Flow direction is indicated by the arrow on the top of the flow cell. To use a pressure flow source, connect to the inlet fitting, or to use a vacuum flow source, connect to the outlet fitting.

The M-500 is designed to be used at ambient pressures. Do not subject the SL-500 to a pressure 2 PSI higher or lower than atmospheric pressure. This is easily accomplished by leaving the outlet of the flow cell open to atmosphere for pressure applications or the inlet outlet open to atmosphere in vacuum scenarios. If tubing is needed to exhaust test gases to a fume hood insure that the exhaust tubing is of sufficient diameter such that the pressure to the SL-500 calibrator does not exceed 2 PSI.

Taking Readings

The SL-500 default is preset for ten (10) readings in an averaging sequence. This parameter is user-definable (see Setup Menu 2, Reading Type, # in Average & Min./Reading).

```
      Main Menu
Run
Setup
Leak Test
```

1. Press **Enter**, **Read**, or **Auto** to enter the "Run Menu".

```
Flow          sccm
Avg           #
 26.1        °C  ST  0.0
746.8 mmHg  SF  1.000
```

- Press the **Read** button to initiate a single reading.
- Press the **Auto** button to initiate continuous hands-free readings.
- Press the **Stop** button to stop current flow reading and open valve.
- Press the **Reset** button to clear the display of current data.

Setting User Preferences

The SL-500 offers enhanced electronics options to allow the user to define parameters specific to an application. There are six Setup Menus.

General Menu Navigation

Use the **Up/Down** arrows to navigate between different lines within a menu. Use the **Enter** button to select a field to be modified and to lock-in any changes. Use the keypad for data entry, such as the number of readings in an averaging sequence; use the **Up/Down** arrows to toggle between fields, such as Temperature or Pressure units. Use the **Fwd** and **Back** keys to advance to the following menu or return to the previous menu.

Keypad Function

The keypad is used for numeric character entry. When pressed, each alphanumeric button will display its corresponding number. To go back, use the **back arrow**. The SL-500 will overwrite previous entries. Use the **Enter** key to lock-in any selections.

```
      Main Menu
Run
Setup
Leak Test
```

To enter "Setup Menu - 1" from the "Main Menu", select Setup and press **Enter**.

Setup Menu 1, Sensor Factor, Calibration Type

```
Setup Menu - 1
Sensor Factor 1.000
Cal. Type Std.
```

Option 1, "Sensor Factor"

As applicable, change the Sensor Factor from its default value of 1.000 to the value provided by the MFC or MFM manufacturer (see Using Sensor Factors).

Option 2, "Cal. Type"

This option changes the sample type being displayed. Toggles between "std." (standardized readings) and "vol." (volumetric readings).

Setup Menu 2, Reading Type, # in Average & Minutes/Reading

```
Setup Menu - 2
Reading Type Cont
# in Avg 10
Min/Reading 00
```

Option 1, "Reading Type"

Toggles between "Cont." (continuous auto-read) and "Burst" (performs continuous auto-read, then stops after the quantity in averaging sequence is reached [as programmed in Setup Menu 2, Option 2, # in Average]).

Option 2, "# in Average"

Changes the quantity in an averaging sequence (consecutive readings) from 1-100.

Option 3, "Min./Reading"

Specifies the time interval (in minutes) between flow readings.

Setup Menu 3, Pres. Units, Temp. Units, Temp Corr.

```
Setup Menu - 3
Pres Units mmHg
Temp Units °C
Temp Corr 0.0°C
```

Option 1, "Pres. Units"

This option allows you to toggle between mmHg, mBar, kPa and PSI.

Option 2, "Temp. Units"

This option allows you to set the temperature units for ° F or ° C.

Option 3, "Temp. Corr."

This option is used to set the standardization temperature.

Setup Menu 4, Date, Time & Battery Voltage

```
Setup Menu - 4
07/18/00    05:03 AM
Bat  6.98  Volts
```

This menu has an alternate navigation method.

Within this menu, use the **Fwd** and **Back** arrows to select each option, such as Month or Day. To change a selected option, use the **Up/Down** arrows. Date and time formats are specified using Setup Menu 5, Date and Time Formats.

Option 1, Date

This option allows you to set the date.

Option 2, Time

This option allows you to set the time.

Setup Menu 5, Date & Time Formats

```
Setup Menu - 5
Date - MT/DT/YR
Time - AM/PM
Auto off Enable
```

Option 1, "Date"

Toggles between "MT/DT/YR" or "DT/MT/YR" date format.

Option 2, "Time"

Toggles between "AM/PM" or "24 Hr" time format.

Option 3, "Auto Off"

Toggles between "Enable" or "Disable" 65-minute auto-shut off.

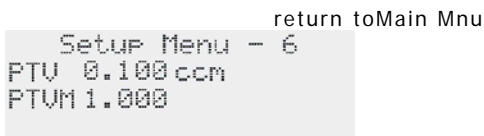
Setup Menu 6, Piston Tare Value (PTV) and Piston Tare Value Multiplier (PTVM)

PTV stands for Piston Tare Value; this is the amount of gas that passes around the piston during measurement. All Sierra calibration equipment has a factory set Piston Tare Value that is stored in the memory of the DryCal cell. The value is typically very small 0.1 ccm for low flow cells, 0.2 ccm for medium flow cells and 1.4 ccm for the high flow cells. We adjust for this leakage by adding the Piston Tare Value (PTV) to the measurements.

On our highest accuracy instruments we allow for the adjustment of the Piston Tare Value with the Piston Tare Value Multiplier (PTVM). When using the instrument with gas species other than air or nitrogen, the molecular behaviors of these gases may degrade the Piston Tare Value. For highest accuracy, the instrument's Piston Tare Value (PTV) can be adjusted. Adjusting the Piston Tare Value is accomplished by entering a new Piston Tare Value Multiplier (PTVM). The Piston Tare Value Multiplier is multiplied to the Piston Tare Value and used to adjust the measurement; the default value for air and nitrogen is 1.000. The Piston Tare Value Multiplier (PTVM) can be set to any value from 3.000 to 0.2000.

For flows above 20 ccm, a new a Piston Tare Value Multiplier (PTVM) value can be calculated by using the viscosity of the gas being measured and accurate results will be obtained. Calculate the PTVM by taking the ratio of the viscosity of nitrogen to the viscosity of the gas under test. For example, to calibrate hydrogen consider the following: at 0 OC, the viscosity of nitrogen is 165.31 micro Poise, and the viscosity of hydrogen is 83.21 micro Poise. Express these as 165.31/83.21, or 1.987, and enter 1.987 as the Piston Tare Value Multiplier (PTVM) for this cell.

When measuring alternate gases at flows below 20 ccm, or for absolute best accuracy, it may be necessary to perform a dynamic leak test using the gas under test. Contact Sierra for information on this test.



Option 1, “PTV” Piston Tare Value

This is the unique piston tare value of a particular flow cell. It is factored into each flow reading for leakage-independent measurements. The piston tare value is factory-set and non-adjustable.

Option 2, “PTVM” Piston Tare Value Multiplier

This is the adjustable piston tare value multiplier used to adjust the piston tare value to enhance accuracy at lower flows when using gasses other than nitrogen or air. The piston tare value multiplier's factory setting is 1.000, although it may be changed to any value between **0.200 and 3.00** if gasses other than air or nitrogen are used.

Using Sensor Factors

When calibrating an MFC or MFM using a surrogate or proxy gas (meaning the MFC or MFM was originally calibrated by the manufacturer for a gas other than what you are currently using), the reading of the SL-500 can be scaled by the sensor factor to allow for this.

To enable your SL-500 to scale its actual flow measurements to match the adjusted flow from the MFC or MFM, input the sensor factor into the SL-500 before calibrating the MFC or MFM (see SETUP – Readings).

The Sensor Factor is displayed on the run screen of the SL-500 as SF X.XXX. The default setting is 1.000. Because a sensor factor other than your SL-500's default value of 1.000 modifies the actual flow to a “reported” flow make sure to change this setting back to 1.000 when a calibration involving the use of a sensor factor is completed.

Leak Testing

To ensure proper function of the SL-500 annual factory calibration is recommended. However, a quality assurance self-test feature is provided to verify proper integrity of the flow cell. It is recommended that the self-check leakage test be conducted periodically as part of an ongoing quality assurance program. Passing the leak test does not ensure proper function of the SL-500, although it does ensure that total leakage is within the product's allowable limits. The leak test may take as long as 6 hours or more to complete per fitting. Since the leak test may take several hours, it is recommended to plug the charger into the base during the leak test to prevent unit from turning off.

When performing the leak test procedure note the inlet and outlet leakage. If the inlet and outlet leakage do not agree within 50% of each other, assure that the inlet and outlet Fittings are tight, then repeat the leak test procedure. If the problem persists, please contact Sierra.

The maximum leakage limits are .200 ccm for the SL-500-10; 1.000 ccm for the SL-500-24; and 3.000 ccm for the SL-500-44. If the leakage exceeds the maximum limits, repeat the leak test procedure. If the problem persists, please contact Sierra for assistance.

To Initiate the Leak Test

1. Place the SL-500 on a flat, vibration-free surface.
2. While in the “Main Menu” install the leak test cable (included with the SL-500 base unit) between the 9-pin SL-500 Base Connector and the 9-pin Cell Connector.

```
Main Menu
Run
Setup
Leak Test
```

3. From the "Main Menu" remove the cell and select "Leak Test".

4. After a leak test is initiated, the display will read:

```
Leak Test
Cap Port
Invert
Push any key
```

5. Place the leak test plug over either the inlet or the outlet port fitting on the SL-500 flow cell.

6. Invert the SL-500 flow cell.

7. Push any key to commence the leak test. At this point the SL-500 will time the descent of the piston. The leak test may take up to 6 hours to complete. The display will read:

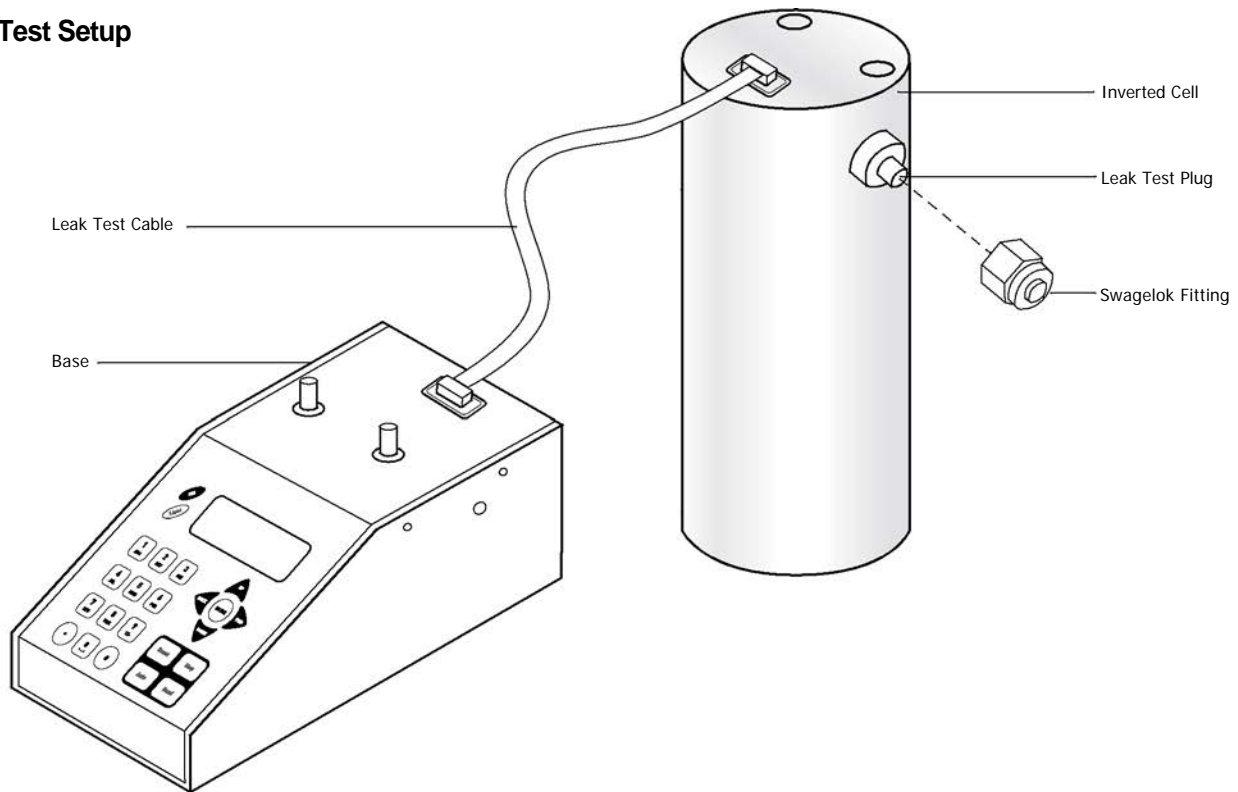
```
Leak Test
In Progress
"
```

8. If the test is completed successfully a leakage rate will be displayed. The display will appear similar to the following:

```
Leakage
0.020 ccm
Push any key
```

9. Repeat the procedure with the leak test port cap over the opposite port fitting.

Leak Test Setup



Annual Maintenance and Calibration

Your SL-500 is engineered to provide years of reliable service, with appropriate care and maintenance. Sierra recommends an annual calibration by our ISO 17025–accredited laboratory, to help ensure the best possible flow measurements and to provide a bullet-proof audit trail for those applications subject to regulatory requirements. If you should encounter any problems with your SL-500, immediately contact Sierra Customer Service and provide a detailed description of your situation, including SL-500 model and serial number, information about the flow source and the current calibration setup, environmental conditions during the test, the flow point or points that you're checking and an explanation of the issue you're experiencing.

Recertification

Your SL-500 primary piston prover is a precision measuring standard comprised of moving parts that are machined to extremely close tolerances. Additionally, various environmental factors, product wear, drift of the temperature sensors and pressure transducers, or inadvertent damage may adversely affect your SL-500's measurement accuracy or general performance.

For these reasons, Sierra highly recommends having your SL-500 annually verified by our ISO 17025–accredited laboratory in order to ensure its measurement integrity. For those applications subject to regulatory or ISO requirements, verification by our accredited laboratory provides you with a defensible audit trail of the highest quality.

As the ultimate quality assurance measure, as well as to keep your SL-500 in top condition and updated with the latest hardware and firmware upgrades (as available), Sierra offers our elective Recertification program. Recertification is an intensive service and calibration package that provides pre- and post-dynamic flow comparisons; complete product refurbishment - including cleaning of the piston and glass assembly, installation of any available upgrades and other routine and preventative maintenance items; and full dimensional calibration, comprised of 20 or more tests using precision instruments and gauges, such as depth and laser micrometers and a temperature bath. When completed, you receive NIST-traceable, ISO 17025-, ANSI Z-540- and NIST Handbook 150-backed calibration certificates.

Recertification includes a 90-day service warranty should any related labor or parts replacements prove faulty.

Due to the intensive nature of our SL-500 Recertification, the time spent within our California facility during this process is generally fourteen days, beginning from the day we receive your product.

For a detailed explanation of our Recertification process, our laboratory and our accreditation, please visit our website at www.sierrainstruments.com and visit the Service & Support page.

Sending Your SL-500 to Sierra

Please contact Sierra for an RMA (return merchandise authorization) number before sending your SL-500 to our factory for elective Recertification or other service. You can get an RMA number through our automated web-based system at <http://www.sierrainstruments.com/rma/login.php> by emailing service@sierrainstruments.com; or, by calling us directly at 831.373.0200. Please make sure to check out our Sierra Quality, Service and Calibration document located through the Service & Repair page on our web site. This document provides full RMA procedures and other useful information to assist you in this important process.

Sending your SL-500 to Sierra without an RMA number may result in return of the instrument without inspection or a substantial delay in service turnaround time.

When requesting your RMA number, provide your SL-500 model, serial number and revision level. Also, describe any product issues you may be experiencing. Please keep in mind that Sierra will not begin evaluation and service of your SL-500 until you have accepted and approved, in writing, our formal RMA quote for service. This protects both you and Sierra during this process and ensures a fair and efficient service experience.

If sending your SL-500 for repair or evaluation (rather than elective Recertification), please contact Sierra for technical support or troubleshooting assistance prior to shipping the unit. We will first attempt to resolve the situation over the phone or via email. If you've provided us with a detailed description of your SL-500 issue and application details and we're unable to resolve the situation by telephone or email, we'll issue you an RMA number for the prompt return of your SL-500 for evaluation.

Please note that Sierra will make every attempt to verify your issue, as we want you to get the most out of your SL-500. However, if we are unable to detect a product issue or if we determine that the issue is application-related rather than product-related, we reserve the right to charge an evaluation fee.

Shipping

When shipping your SL-500, please ensure that the packaging is adequate to protect the instrument. Whenever possible, your SL-500 should be shipped in its original packaging or within a hard case, such as a Pelican carrying case (available for purchase from Sierra). We highly recommend using a standard freight carrier (e.g., Fed Ex, UPS) that supplies tracking numbers and insuring the product against damage in transit.

Sierra is generally not responsible for freight cost associated with shipments to and from Sierra, except in certain instances; please contact Sierra for information before initiating a shipment.

Sierra is not responsible for damage that occurs during shipment.

Storage

If you need to store your SL-500 for an extended period, please follow these guidelines:

Always store it in a clean, dry place.

If possible, leave it attached to its AC power adapter/charger while in storage.

If your SL-500 cannot be attached to its AC power adapter/charger while in storage:

Fully charge it before extended storage. If the battery isn't fully charged prior to storage, it might be permanently damaged.

Fully charge it at least once every three months.

When removing your SL-500 from storage, recharge the battery for at least 12 hours prior to use.

Sierra Cal=Trak SL-500 Specifications

Interchangeable Flow Cell Models:

Model	SL-500-10	SL-500-24	SL-500-44
Flow Range	5—500 sccm	50—5,000 sccm	500—50,000 sccm
Accuracy, Standardized	±0.40%	±0.35%	±0.40%
Accuracy, Volumetric	±0.25%	±0.20%	±0.25%
Time Per Reading	1—80 seconds	1—50 seconds	1—20 seconds
Weight	85.1 oz / 2412.5 g	86 oz / 2439.3 g	88.4 oz / 2507 g

Specifications based on averaged readings. Accuracy is stated as a percent of reading (including standardization, if applicable).

Basics:

Dimensions: Base (H x W x D) 3.9 x 5.25 x 10.67 in / 99 x 133 x 271 mm

Dimensions: Cell (H x W x D) 10.15 x 6 x 4 in / 258 x 152 x 102 mm

Weight: Base 43.5 oz / 1233 g

Gas Compatibility Non-corrosive, non-condensing, non-combustible gasses. Less than 70% humidity.

Usage:

Flow Mode: Suction and Pressure

Configuration: Base with modular, interchangeable flow cells (three)

Temperature & Pressure Sensors: Yes, in the flow stream of each interchangeable flow cell

Reading Modes: Single, Auto or User-Specified Burst

AC Adapter/Plug: 12V DC, > 500 ma, 2.5 mm, center positive, North American standard, others available

Battery Type: 6 volt lead acid.

Inlet and Outlet Fittings: Swagelok™

Ambient Temperature: 15–30° C

Storage Temperature: 0–70° C

Ambient Humidity: 0–70%, non-condensing

Display: Backlit LCD

Operating Pressure (Absolute): 15 PSI

Data Port: Serial

Warranty: 1 year; battery 6 months

Sierra highly recommends annual Recertification (product maintenance, pre and post dynamic flow comparisons and full dimensional calibration). This is elective and is not included as a warranty item.

All specifications are subject to change. Please contact Sierra or visit our web site at www.sierrainstruments.com for the most current product information.

Limited Warranty

The Sierra Cal=Trak Series SL-500 is warranted to the original end user to be free from defects in materials and workmanship under normal use and service for a period of one year from the date of purchase as shown on the purchaser's receipt. The Sierra Cal=Trak Series SL-500's battery is warranted for six months from the original purchase date. If the unit was purchased from an authorized reseller, a copy of an invoice or packing slip showing the date of purchase may be required to obtain warranty service.

The obligation of Sierra Instruments under this warranty shall be limited to repair or replacement (at our option), during the warranty period, of any part that proves defective in material or workmanship under normal use and service, provided the product is returned to Sierra Instruments, transportation charges prepaid.

Notwithstanding the foregoing, Sierra Instruments shall have no liability to repair or replace any Sierra Instruments product:

1. That has been damaged following sale, including but not limited to damage resulting from improper electrical voltages or currents, defacement, misuse, abuse, neglect, accident, fire, flood, terrorism, act of God or use in violation of the instructions furnished by Sierra International Corporation;
2. When the serial number has been altered or removed; or,
3. That has been repaired, altered or maintained by any person or party other than Sierra International Corporation's own service facility or a Sierra authorized service center, should one be established.

This warranty is in lieu of all other warranties, and all other obligations or liabilities arising as a result of any defect or deficiency of the product, whether in contract or in tort or otherwise. All other warranties, expressed or implied, including any implied warranties of merchantability and fitness for a particular purpose, are specifically excluded.

In no event shall Sierra be liable for any special, incidental or consequential damages for breach of this or any other warranty, express or implied, whatsoever.